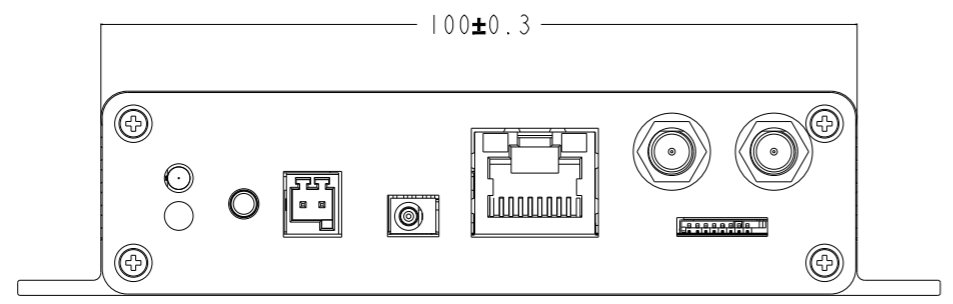
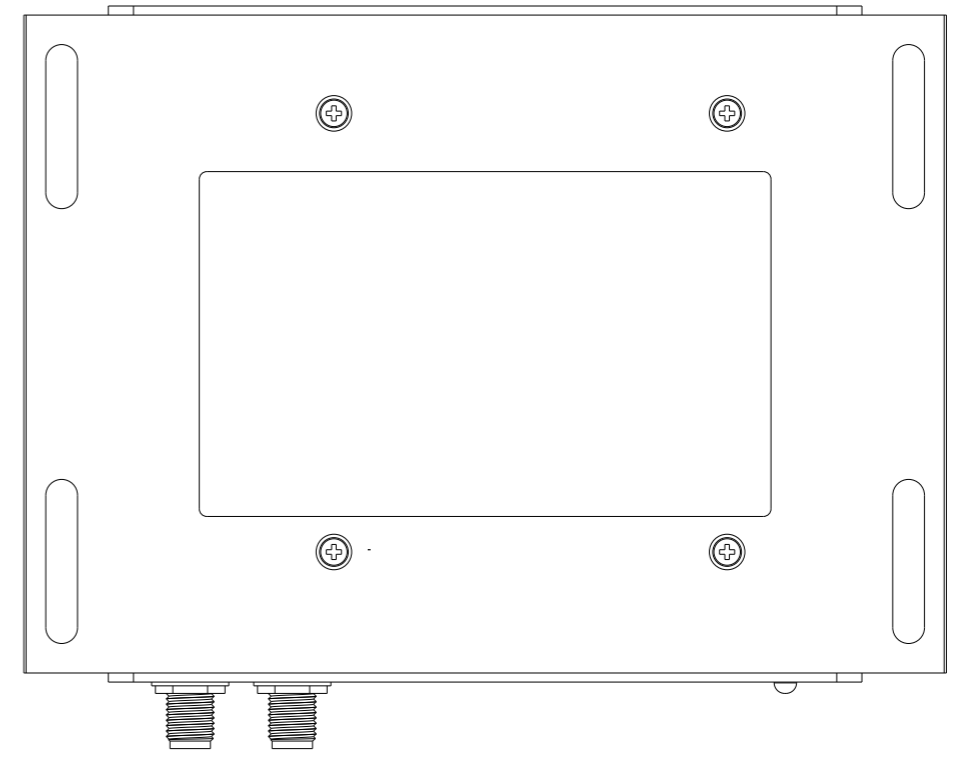
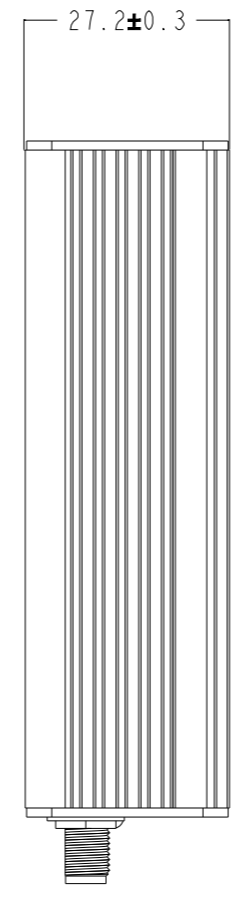
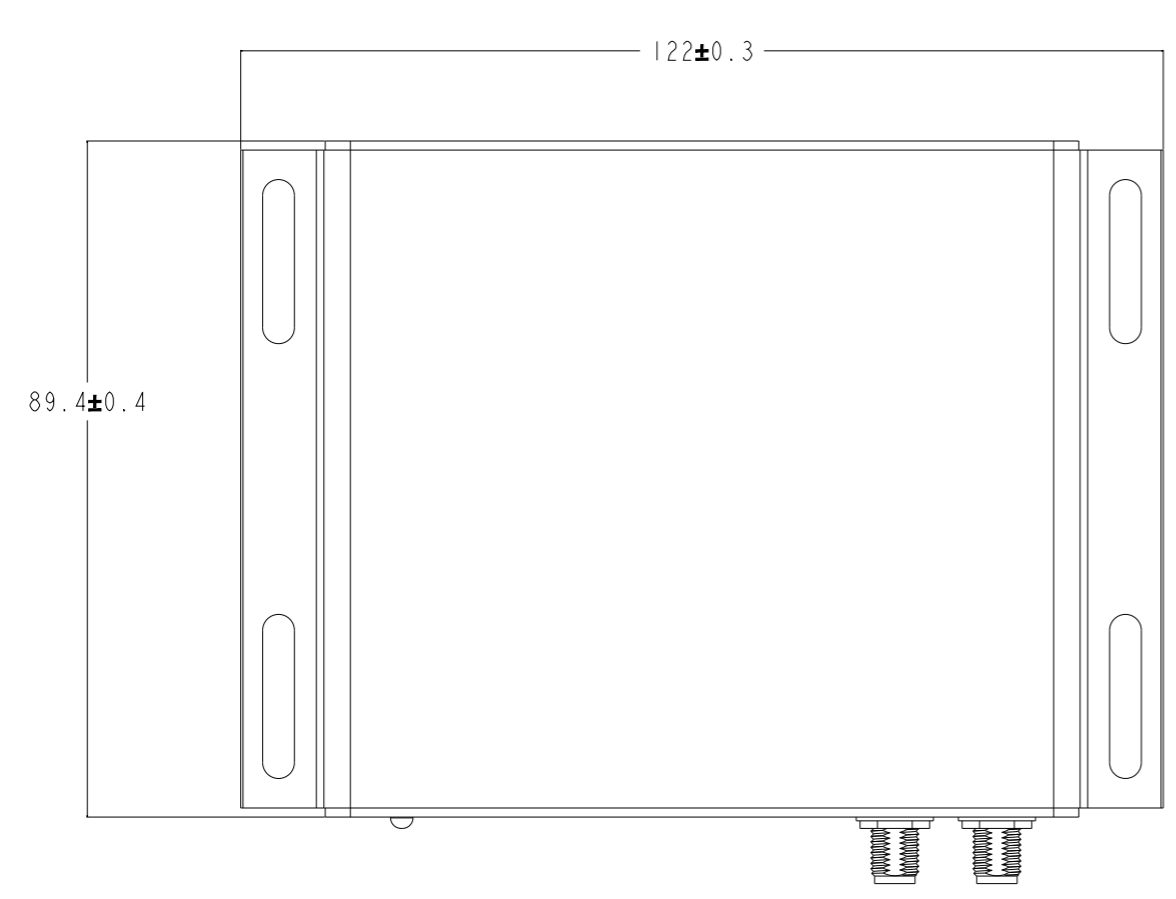
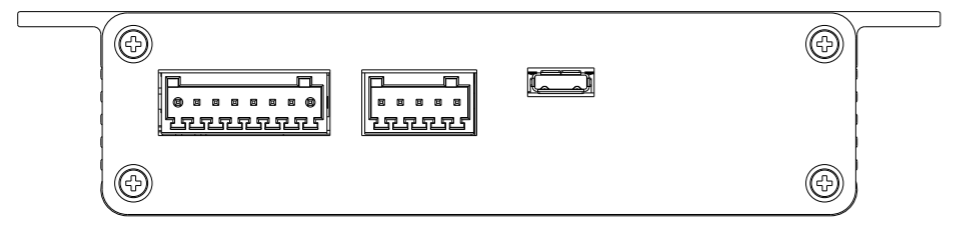


Confidential

| Revision |      |             |          |          |
|----------|------|-------------|----------|----------|
| Rev.     | Date | Description | Designed | Approved |
| A.       |      |             |          |          |
| B.       |      |             |          |          |



|                 |                                  |                |                        |
|-----------------|----------------------------------|----------------|------------------------|
| UNITS: mm       | MAT'L:                           | DESIGNER: Page | PART NO:               |
| SCALE: 0.500    | FINISH:                          | CHKD: Page     | DRAWING NAME RS200_dim |
| DATE: Feb-27-18 | REV: A                           | APPD: Kevin    | PART NAME RS200_dim    |
| SHEET: 1 OF 1   | TOLERANCE FOLLOW TOLERANCE TABLE |                |                        |

**Unitech Electronic Co. , LTD**